

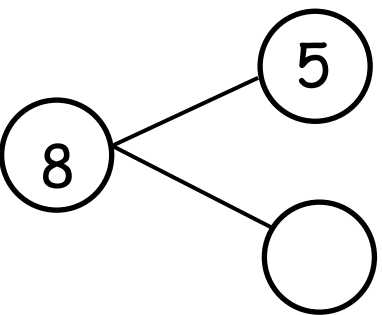
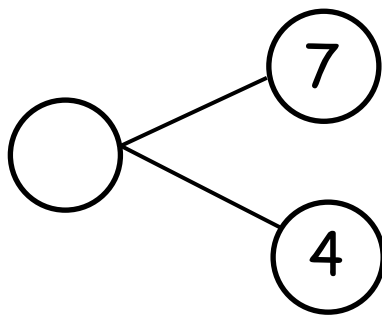
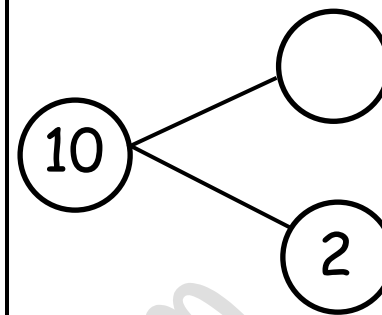
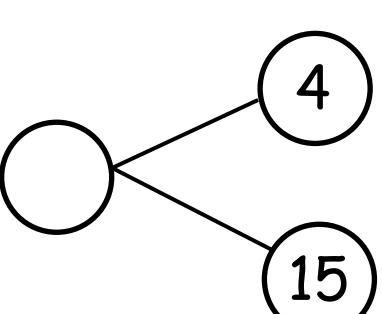
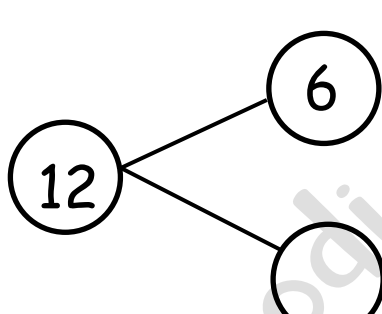
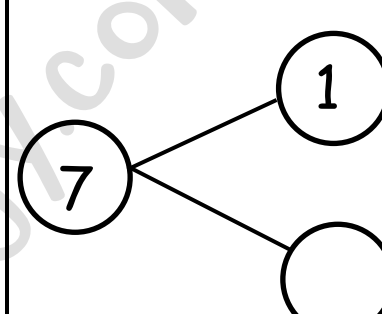
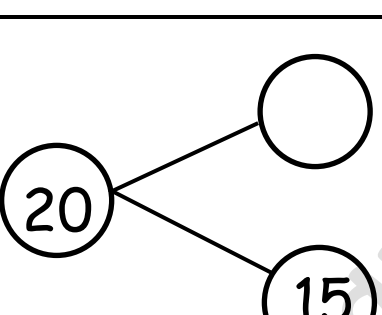
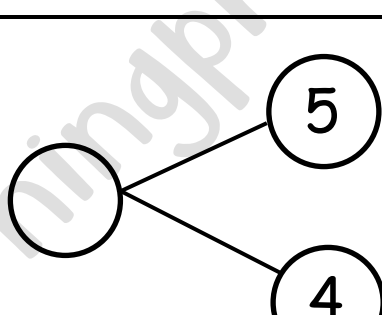
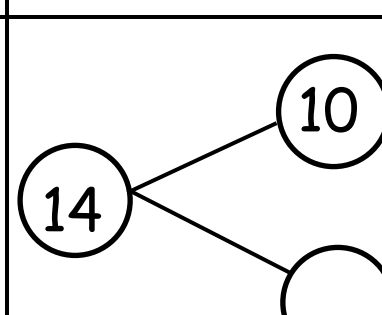
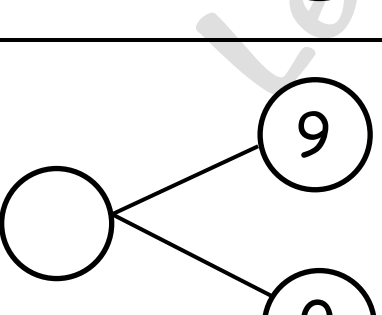
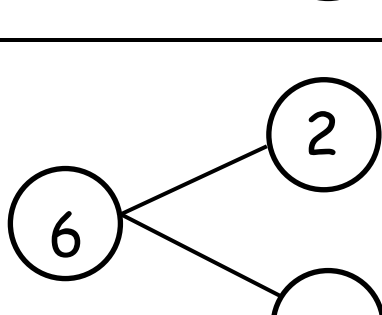
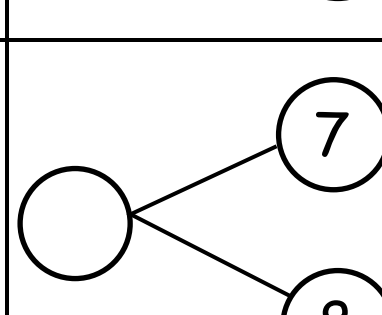
Name.....

Class:.....

Date:.....

Solve the Number Bonding with our Friend Outstanding  Octopus

Direction: Fill in the missing numbers that makes the number bond complete

Thank you joining me  Happy Learning